

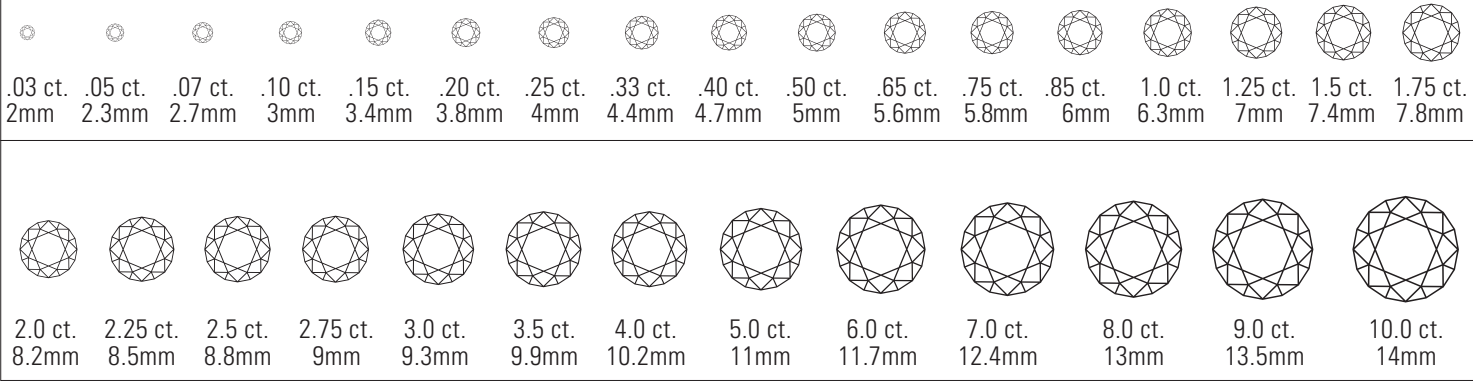


For your bench. At your side.

Diamond Conversion Charts

Disclaimer: The charts below will help you translate carat weight into size. Please note that the sizes below are approximate; the sizes of individual diamonds will vary slightly depending on how they are cut. These charts should be used as an approximation guide only.

Diamond Chart: Round



Diamond Chart: Fancy Shapes

Diamond Sizes	.50 ct.	.75 ct.	1.0 ct.	1.25 ct.	1.5 ct.	2.0 ct.	2.5 ct.	3.0 ct.	4.0 ct.	5.0 ct.
Pear	 7x4mm	 8x4.5mm	 9x5mm	 9.5x5.5mm	 10x6mm	 11x6.5mm	 12x7mm	 13x7mm	 14x8mm	 15x8mm
Marquise	 7x3.5mm	 8x4mm	 10x5mm	 10.5x5.5mm	 11x5.5mm	 12x6mm	 13x6.5mm	 14x7mm	 15x7.5mm	 16x8mm
Emerald	 6x4mm	 7x4.5mm	 7x5.5mm	 8x5mm	 8.5x5mm	 9x5.5mm	 9.5x6mm	 10.5x6mm	 11.5x7mm	 12.5x7.5mm
Oval	 6x4mm	 6.5x4.5mm	 7x5mm	 7.5x5mm	 8x6mm	 8.5x6.5mm	 9x7mm	 10x8mm	 11x9mm	 12x10mm
Heart	 5x5mm	 6x6mm	 6.5x6.5mm	 7x7mm	 7.5x7.5mm	 8x8mm	 9x9mm	 9.3x9.3mm	 10x10mm	 11x11mm

Round Conversion

Size mm	Diamond Size (ct.)	Cubic Zirconia
3	0.10	0.18
4	0.25	0.45
4.5	0.35	0.63
5	0.50	0.85
5.25	0.55	1.00
5.5	0.65	1.15
5.75	0.75	1.35
6	0.85	1.45
6.25	1.00	1.60
6.5	1.15	1.80
7	1.25	2.25
7.5	1.50	2.75
8	2.00	3.35
8.5	2.25	4.10
9	2.75	4.50
10	3.70	6.50

Oval Conversion

Size mm	Diamond Size (ct.)	Cubic Zirconia
4x3	0.18	0.35
5x3	0.25	0.40
6x4.5	0.50	0.75
7x5.5	0.75	1.00
7.5x5.5	1.00	—
8x6	1.50	2.50
8.5x6.5	2.00	—
9x7	2.50	3.00
10x8	3.00	4.80
11x9	4.00	—
12x10	5.00	—

Heart Conversion

Size mm	Diamond Size (ct.)
4x4	0.25
4.5x4.5	0.33-0.40
5x5	0.50
5.5x5.5	0.65
6x6	0.75
6.5x6.5	1.00
7x7	1.25
7.5x7.5	1.50
8x8	2.00
9x9	2.50
9.3x9.3	3.00
10x10	4.00
11x11	5.00

Straight Baguettes Conversion

Size mm LxW	Diamond Size (ct.)	Size mm LxW	Diamond Size (ct.)	Size mm LxW	Diamond Size (ct.)
1x1.5	0.01	2x2	0.05	3x2.5	0.13
1x2	0.02	2x2.5	0.08	3x3	0.16
1x2.5	0.025	2x3	0.10	3x3.5	0.21
1x3	0.03	2x3.5	0.11	3x4	0.25
1x3.5	0.04	2x4	0.14	3x4.5	0.30
1x4	0.05	2x4.5	0.16	3x5	0.34
1x4.5	0.07	2x5	0.19	3x5.5	0.37
1x5	0.08	2x5.5	0.22	3x6	0.42
1x5.5	0.09	2x6	0.25	3.5x1.5	0.07
1x6	0.11	2.5x1.5	0.05	3.5x2	0.11
1.5x1.5	0.02	2.5x2	0.08	3.5x2.5	0.15
1.5x2	0.04	2.5x2.5	0.10	1.5x3	0.21
1.5x3	0.06	2.5x3	0.13	3.5x3.5	0.25
1.5x2.5	0.05	2.5x3.5	0.15	3.5x4	0.30
1.5x3.5	0.07	2.5x4	0.18	3.5x4.5	0.41
1.5x4	0.08	2.5x4.5	0.22	3.5x5.0	0.50
1.5x4.5	0.10	2.5x5	0.27	4x1.5	0.08
1.5x5	0.12	2.5x5.5	0.31	4x2	0.14
1.5x5.5	0.13	2.5x6	0.35	4x2.5	0.18
1.5x6	0.15	3x1.5	0.06	4x3	0.25
2x1.5	0.04	3x2	0.10	4x3.5	0.30

Triangle/Trillion Conversion

Size mm	Diamond Size (ct.)
3x3x3	0.07
4x4x4	0.16
4.5x4.5x4.5	0.25
5x5x5	0.32
5.5x5.5x5.5	0.40
6x6x6	0.50
6.5x6.5x6.5	0.65
7x7x7	0.75
8x8x8	1.00

Trillion measurements are point to point.

Square/Princess Conversion

Size mm	Diamond Size (ct.)
2x2	0.05
2.5x2.5	0.10
3x3	0.15
3.5x3.5	0.27
4x4	0.40
5x5	0.75

Pear/Marquise Conversion

Diamond Size (ct.)	Pear Size (mm)	Marquise Size (mm)
0.10	4x2.5	4x2
0.12	4x2.8	4x2.5
0.15	4x3	4.5x3
0.20	5x3	6x3
0.25	5x3.5	7x2.5
0.33	5.5x3.5	7x3
0.40	6x4	7x4
0.50	6x4.5	8x4